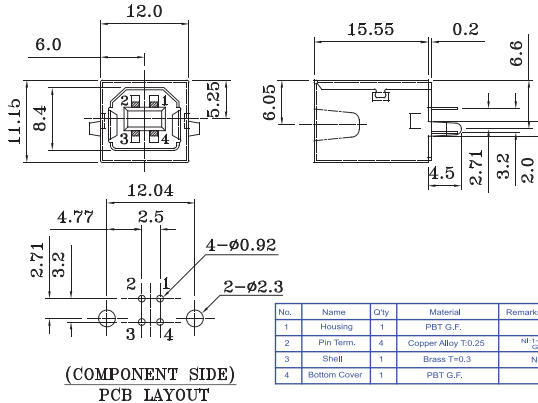


## USB Female Dip 180° B Type



Part No.:USB-001K-B□-L

B:Black W:White

No.	Name	Q'ty	Material	Remarks & Thickness	Finish
1	Housing	1	PBT G.F.		White
2	Pin Term.	4	Copper Alloy T:0.25	Ni 1~1.5u, Tin 3u, Gold:1~3u	Gold/Tin Plated
3	Shell	1	Brass T=0.3	Ni:2~3u	Nickel Plated
4	Bottom Cover	1	PBT G.F.		White